

**TOW BAR P-040  
PEUGEOT 407 (4D)  
(2004 - r.)  
FITTING AND OPERATION MANUAL.**

**Cat. No.P-040**

**DESTINATION**

Tow bar **P-040** for a **Peugeot 407 (4D)** is designed for towing a trailer. This ball hook has a current certification of approval authorizing the product with **e20** certification sign.

**FITTING CONDITIONS**

Tow bar **P-040** can be used and operated in a car with proper technical conditions of body elements. Those parts cannot be mechanically damaged. The ball hook has to be installed and operated in a car according to this instruction. All bolts and nuts in ball hook have to be screwed down with proper torque (Mo). Torque values are given below:

M8	-	25 (Nm)	M12	-	85 (Nm)
M10	-	50 (Nm)	M16	-	200 (Nm)

**OPERATION CONDITIONS**

The tow bar **P-040** has a rating plate describing correct and safe loads of the hook:

Typ: <b>P-040</b> <b>A50-X</b> <b>0040-00</b> <b>e20</b> D = 9,1 kN S = 75 kg R = 1600 kg	The tow bar for <b>Peugeot 407 (4D)</b> Tow bar class ( compressing device ) Tow bar certification of approval number Theoretical related force working on a ball hook Max permissible vertical load of the hook ball Max permissible load of towing trailer
---	---

**D - force is calculated using the following formula:**

$$D = g \times \frac{T \times R}{T + R} \text{ kN}$$

**T**-technically permissible maximum mass in tonnes of the towing vehicle (also towing tractors) including, if necessary, the vertical load of a centrale axle trailer.  
**R**-technically permissible maximum mass in tonnes of the full trailer with drawgal free to move in the vertical plane or of the semi-trailer.  
**g**-acceleration due to gravity (assumed as 9,81 m/s<sup>2</sup>)

During operating individual elements of ball hook should be kept in a proper technical condition and protected from corrosion. The trailer must be linked with an elastic joint with proper durability ( cord , chain ) while towing .It is necessary to check periodically bolt joints during operating the ball hook. If screws are eased , it is necessary to screw them down .

**FITTING**

The tow bar **P-040** for **Peugeot 407 (4D)** is made up of the following elements :

- |                        |            |                        |            |
|------------------------|------------|------------------------|------------|
| 1. Towbar mainframe    | - 1 piece  | 9. Bolt M12x65         | - 2 pieces |
| 2. Tow ball            | - 1 piece  | 10. Flat washer 8,4    | - 8 pieces |
| 3. Electrical plate    | - 1 piece  | 11. Flat washer 10,5   | - 2 pieces |
| 4. Right strengthening | - 1 piece  | 12. Flat washer 13,0   | - 2 pieces |
| 5. Left strengthening  | - 1 piece  | 13. Spring washer 8,2  | - 8 pieces |
| 6. Bolt M8x40          | - 8 pieces | 14. Spring washer 10,2 | - 2 pieces |
| 7. Bolt M10x35         | - 2 pieces | 15. Spring washer 12,2 | - 6 pieces |
| 8. Bolt M12x35         | - 4 pieces | 16. Nut M12            | - 6 pieces |

Follow the general directions in order to fit **P-040** tow bar properly

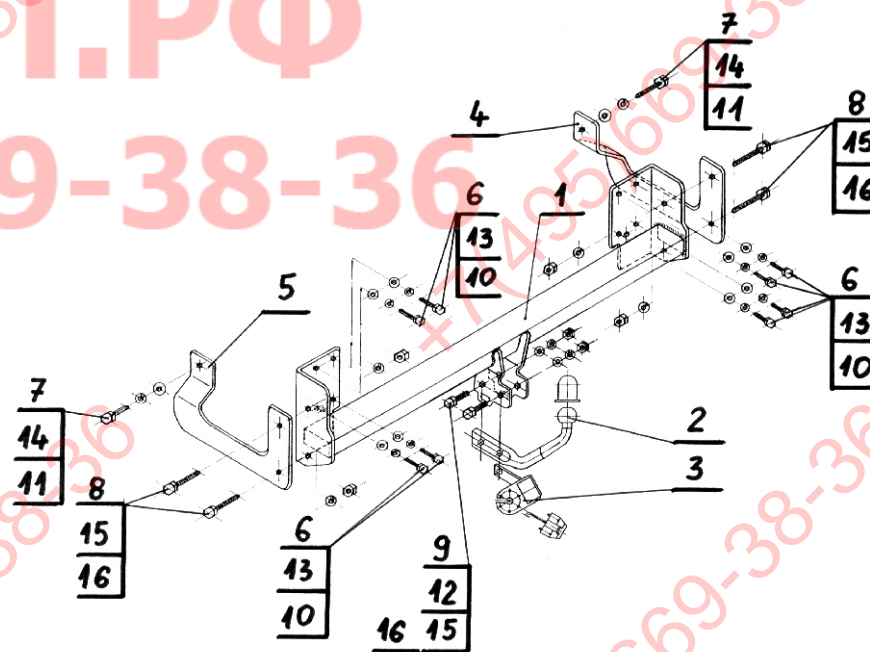
- 1.Rear bumper cutting is required.
- 2.Remove the rear bumper of the car ( remove the plastic element from the right side of bumper).
- 3.Remove the bumper strengthening.
- 4.Unpack the towbar packing and separate components. Check all parts are present.
- 5.Put (1) to the back panel , next put the bumper strengthening and attach to the back panel using (6), (10), (13).
6. Attach (4) and (5) to the chassis side members using (7), (11), (14) and attach to (1) using (8), (15), (16).
- 7.Refit the rear bumper to the car.
- 8.Attach (2) to (1) using (9) with (12), (15) and (16) , attach (3) on left side of (2) at the same time.
- 9.Check if all fixing bolts and nuts correctly tightened.

**Obeying this instruction assures correct montage and the tow bar operating in a Peugeot 407 (4D)**

After assembling of the tow bar **P-040** you have to get entry in cars **registration book** in a quality control station .

**CAUTION :**

All mechanical damages of tow bar excludes its further exploitation . Damaged ball hook **cannot be repaired**. In case of braking the rules of montage or unproper usage manufacturer **do not take responsibility** for arised damages .



**NOTE :**

Bunch of wires is not included (in total price).